

# WALLTOPIA

climbing walls

Walltopia presents a new range of Mobile Climbing walls

Model MW 2C6M

Walltopia climbing wall is on a trailer, you can bring it right to your location.

Utilizing a hydraulic lift, you can raise the wall in just a few minutes time.



## Standard equipment for Mobile climbing wall

- WALLTOPIA's ROCKTOPIA™ unique surface for ultimate realistic rock climbing experience
- Spare wheel with carrier
- 2 REDPOINT™ Autobelays
- Assorted HRT Safety Holds® handholds
- Special Monolith power semi-traction 12 V battery
  - Specifically designed for applications requiring a permanent and long lasting supply of electrical energy
  - Specially designed for cyclic applications with 300 cycles at 75 percent D.O.D. according to EN50342 standard (1997 Eurobat or similar)
  - High resistance to deep and repeated discharge cycles
  - Long service life

## Optional equipment for Mobile climbing wall

- Battery charger
- Second battery
- Banner kit - bracketing kit without the banners
- Hydraulic by-pass system with a hand pump for raising and lowering in the event of power loss
- Custom color
- Timers for Speed Climbing
- Tool box



## Technical Specifications of WALLTOPIA Mobile Climbing Wall

### Size on the road:

L = 7280 mm

W= 2200 mm

H= 1880 mm

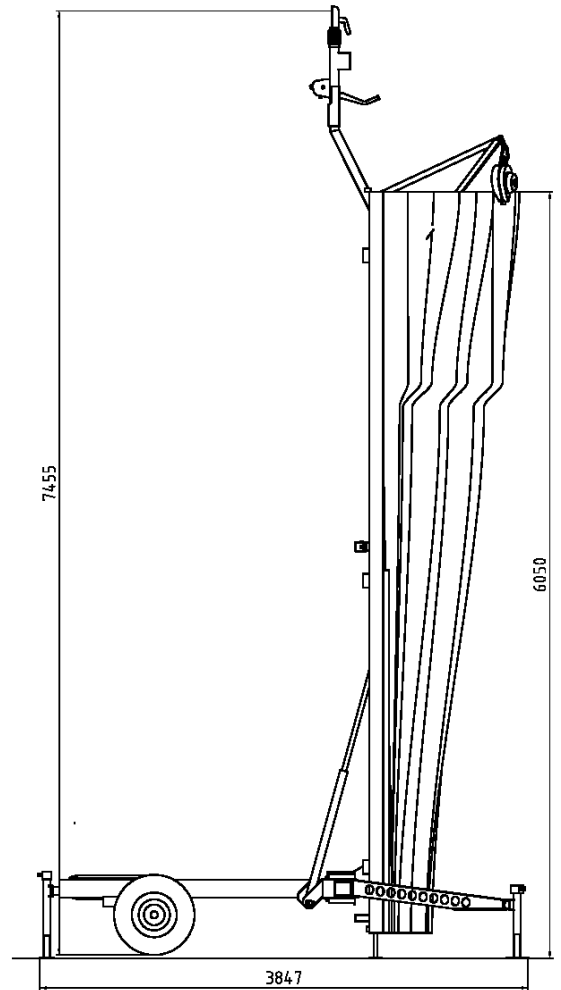
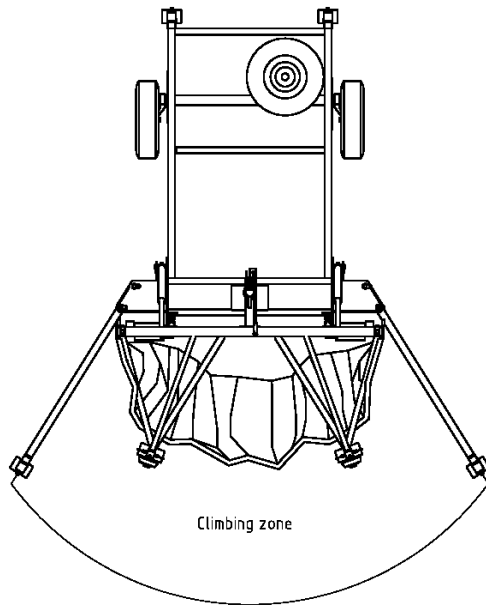
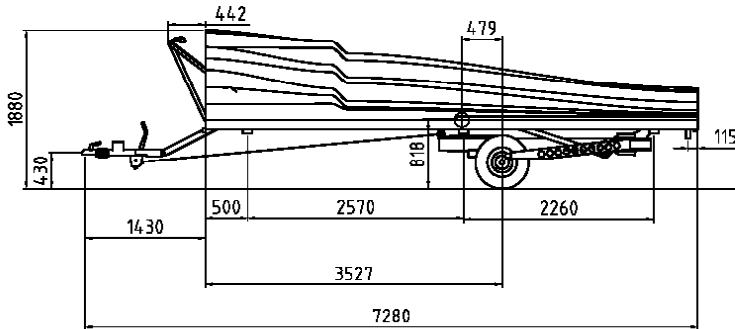
### Size when in use:

L= 3847 mm

W=3952 mm

H= 7455 mm

**Climbing height:** 6050 mm



- **Gross Weight:** 1110 kg (2447 lb.)
- **Max. Hitch Load:** 90 kg (198 lb.)
- **Brake system:** Independent Inertia Brake System (mechanically actuated)
- **Coupling device:** 50 mm Ball Hitch.
- **Electrical connection to the towing vehicle:** 7 prong ISO 1724, 12 Volt coupling device
- **Recommended towing vehicle:** Minivan or SUV with 50 mm ball hitch, with towing capacity of 1200 kg. or more
- **Method of operation:** 12 Volt Battery powered hydraulic system with any position automatic hydraulic safety locks
- **Type of the ground surface when in use:** Concrete or Asphalt pavement, with no loose gravel
- **Max. slope of the ground in ANY direction:** 5%
- **Wind Stability:** wind gusts up to 55 km/h (34 mph)
- **Maximal climber weight:** 120 kg. (265 lb.)