

ISO 9001:2008 certified

WALLTOPIA MOBILE WALL

Model: MW-3C6



ISO 9001:2008 certified

Technical Specifications of WALLTOPIA Mobile Climbing Wall model MW-3C6

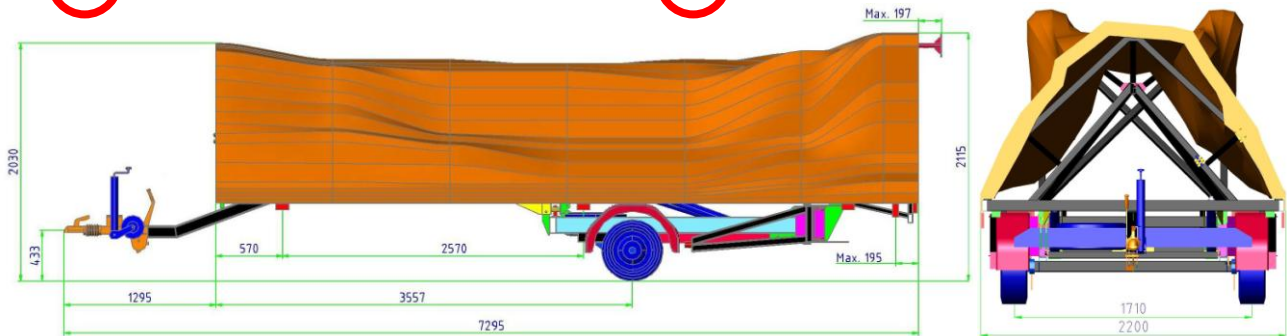
Size on the road:

L= 7 295 mm

W= 2 200 mm

H= 2 115 mm

80 Max. towing speed: **80 km/h (50 mph)** **80**



Side view

Front view

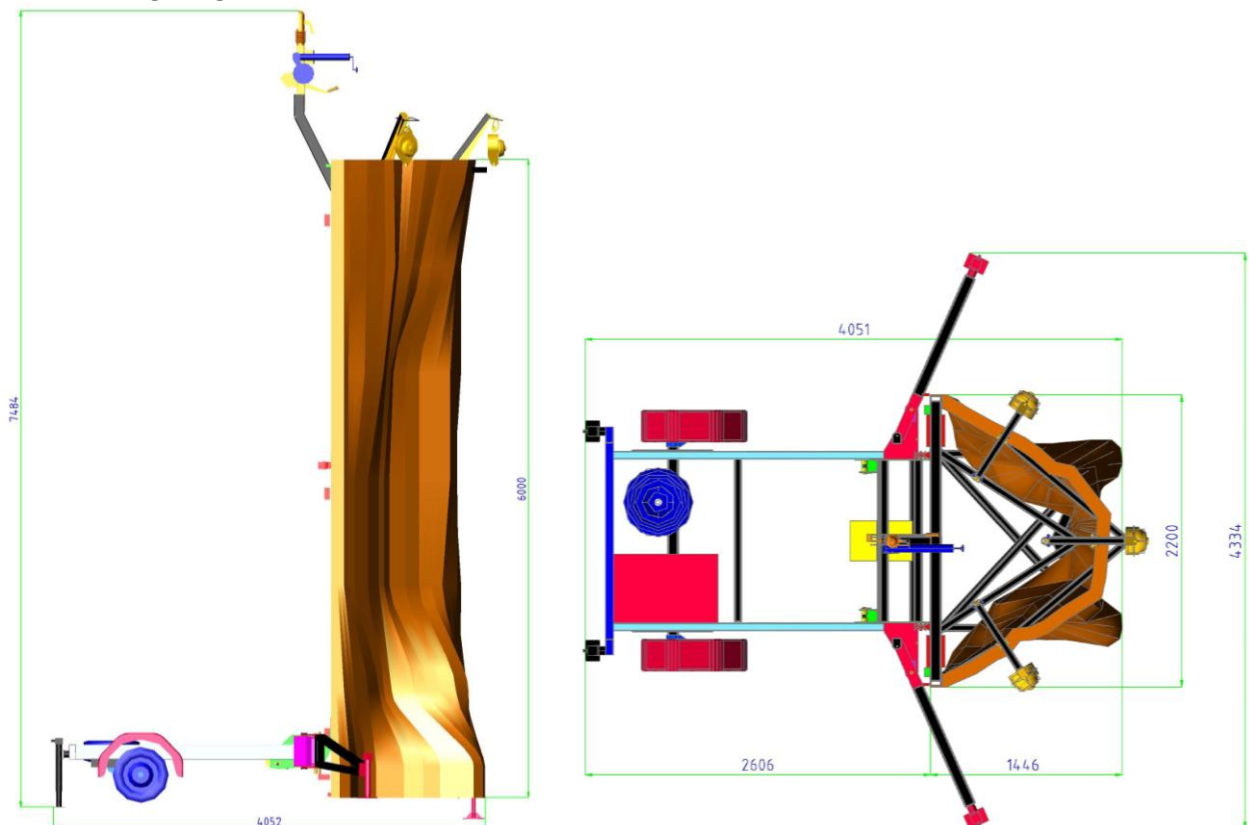
Size when in use:

L= 4 052 mm

W= 4 334 mm

H= 7 484 mm

Climbing height: 6 000 mm



Side view

Top view

ISO 9001:2008 certified

Gross Weight: 1 650 kg. (3 638 lb.).

Max. Hitch Load: 90 kg. (198 lb.).

Brake system: Independent Inertia Brake System (mechanically actuated).

Coupling device: 50 mm Ball Hitch.

Electrical connection to the towing vehicle: 7 prong ISO 1724, 12 Volt coupling device.

Recommended towing vehicle: Minivan or SUV with 50 mm ball hitch, with towing capacity of 2000 kg. (4 410 lb.) or more.

Max. Towing Speed: 80 km/h (50 mph) **80**

Method of operation: 12 Volt Battery powered hydraulic system with any position automatic hydraulic safety locks:

Type of the ground surface when in use: Concrete or Asphalt (Blacktop) pavement, with no loose gravel.

Max. slope of the ground in ANY direction: 5%.

Wind Stability: wind gusts up to 50 km/h (31 mph).

Max. number of climbers: 3 persons.

Maximal climber weight: 120 kg. (265 lb.).

Standard Equipment:

- WALLTOPIA's ROCKTOPIA™ unique surface with Flat Underhold technology for ultimate realistic rock climbing experience;

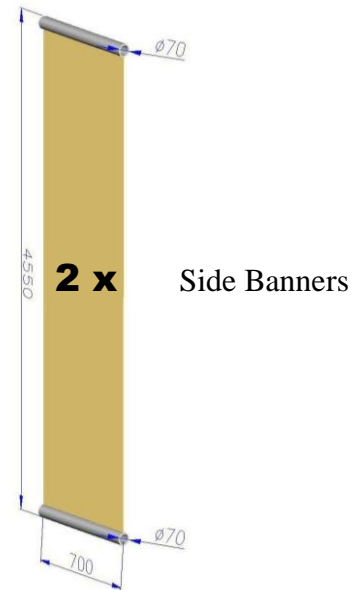
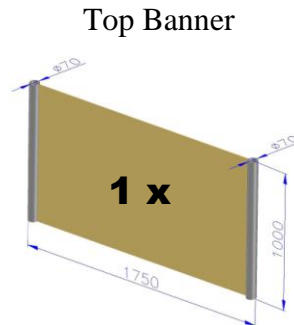


- Spare wheel with carrier and lockable accessory box;



ISO 9001:2008 certified

- Banner kit - bracketing kit without the banners;



- 3 Autobelays*;
- Assorted HRT Safety Holds[®] handholds;



- Special Monolith power semi-traction 12 V battery



- Specifically designed for applications requiring a permanent and long lasting supply of electrical energy;
- Specially designed for cyclic applications with 300 cycles at 75 percent D.O.D. according to EN50342 standard (1997 Eurobat or similar);
- High resistance to deep and repeated discharge cycles;
- Long service life.

Optional Equipment*:

- Battery charger;
- Second battery;
- Hydraulic by-pass system with a hand pump for raising and lowering in the event of power loss;
- Custom color;
- Timers for Speed Climbing.

* - Call your Dealer for details